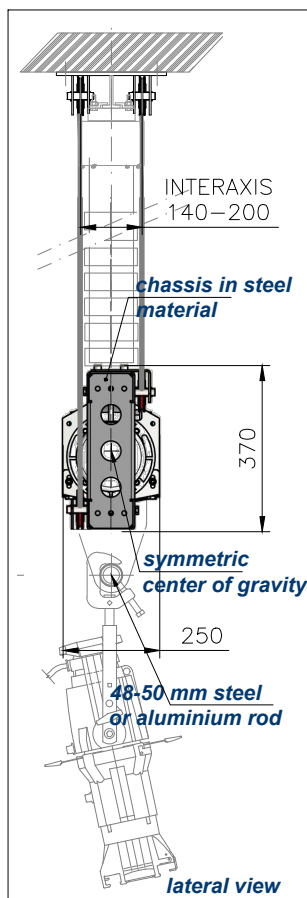


LSJ-15-SC TECHNICAL CHARACTERISTICS	
PAYLOAD	150 daN
NET WEIGHT	200 daN
SERVICE LOAD	350 daN
SPEED	3,5-7 mt/min
TYPE OF SPEED	FIXED (IF LOW) VARIABLE (IF HIGH)
MAX TRAVEL	UP TO 12 meters
ROPES	4 LANG LAY GALVANIZED MBL 10,5 KN
ROPE DIAMETER	4 mm
SELF CLIMBING TYPE	SINGLE / DOUBLE PURCHASED SYSTEM
LOAD POLE	Ø48,3-50 mm - L 1700-5000 mm
POSITIONING ERROR	± 0,05 %
EXAMPLE FOR OUTLETS	16 A CEE / 32 A CEE 16 A SHUKO / DMX
MOTOR POWER	0,75 KW
BRAKE TYPE	DOUBLE ELECTROMAGNETIC MOUNTED ON MOTOR
REDUCER GEARBOX	COAXIAL
LIMIT SWITCH	ROTARY 4 SWITCHES
ENCODER	ABSOLUTE (OPTIONAL) ON OUTPUT SHAFT
LOAD CELL	OPTIONAL
AUXILIARY SAFETIES	CABLE-BREAK ON BOARD SLACK CABLE DETECTORS ON EACH SUPPORTING CABLES(OPTIONAL)



LSJ-28-SC TECHNICAL CHARACTERISTICS	
PAYLOAD	280 daN
NET WEIGHT	230 daN
SERVICE LOAD	510 daN
SPEED	4-8 mt/min
TYPE OF SPEED	FIXED (IF LOW) VARIABLE (IF HIGH)
MAX TRAVEL	UP TO 15 meters
ROPES	4 LANG LAY GALVANIZED MBL 17,7 KN
ROPE DIAMETER	5 mm
SELF CLIMBING TYPE	SINGLE / DOUBLE PURCHASED SYSTEM
LOAD POLE	Ø48,3-50 mm - L 1700-5000 mm
POSITIONING ERROR	± 0,05 %
EXAMPLE FOR OUTLETS	16 A CEE / 32 A CEE 16 A SHUKO / DMX
MOTOR POWER	1,1 KW
BRAKE TYPE	DOUBLE ELECTROMAGNETIC MOUNTED ON MOTOR
REDUCER GEARBOX	COAXIAL
LIMIT SWITCH	ROTARY 4 SWITCHES
ENCODER	ABSOLUTE (OPTIONAL) ON OUTPUT SHAFT
LOAD CELL	OPTIONAL
AUXILIARY SAFETIES	CABLE-BREAK ON BOARD SLACK CABLE DETECTORS ON EACH SUPPORTING CABLES(OPTIONAL)

IN ACCORDANCE TO THE EUROPEAN MACHINERY DIRECTIVE, TO DIN 56950 BGV D8+ REGULATIONS \* AND WITH CE MARKING .  
\* IF OPTIONALS ARE FULL SELECTED THE MACHINE BECOMES BGV C1 .



DATE	2016/11/24	WEIGHT	
DRAWER	M.Z.	SCALE	
VERIF.	M.Z.	SHEET	A4
REV.	6	CODE	LSJ-15-SC LSJ-28-SC

DESCR. - SELF CLIMBING HOISTS - LSJ TYPES